



**KALINGA STATE UNIVERSITY**  
**INFRASTRUCTURE DEPARTMENT**  
 BULANAO, TABUK CITY, KALINGA

PREPARED BY:

KSU INFRA UNIT

REG. NO.

PTR. NO.

DATE

PLACE

CADD BY:

KSU INFRA UNIT

CHECKED BY:

Arch. JENIE L. ABAD  
 CHAIRMAN FOR PLANNING

REG. NO.

PTR. NO.

DATE

PLACE

CONCURRED BY:

END USER

PROJECT TITLE:

Installation of Roofing at Central Laboratory- KSU,  
 Bulanao Campus

Project Location: Bulanao, Tabuk City, Kalinga

RECOMMENDING APPROVAL:

Engr. LOPE T. BUEN, Ph.D  
 DIRECTOR FOR PLANNING AND STRATEGY

Address: Bulanao, Tabuk City, Kalinga

APPROVED BY:

EDUARDO T. BAGTANG, CPA, DBM  
 KSU PRESIDENT

Address: Bulanao, Tabuk City, Kalinga

SHEET CONTENTS:

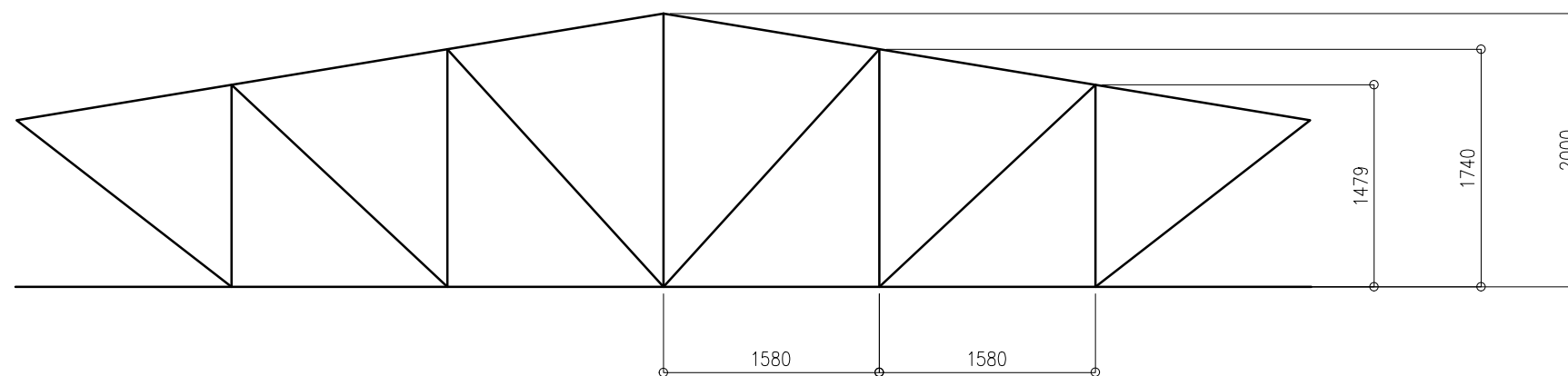
AS SHOWN

SHEET NUMBER:

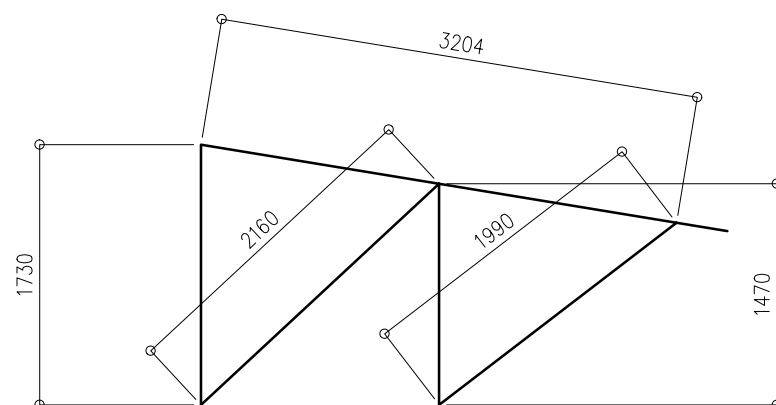
PAGE NUMBER:

OWNERSHIP OF DOCUMENTS

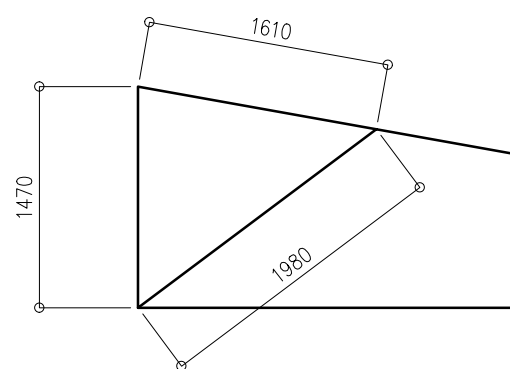
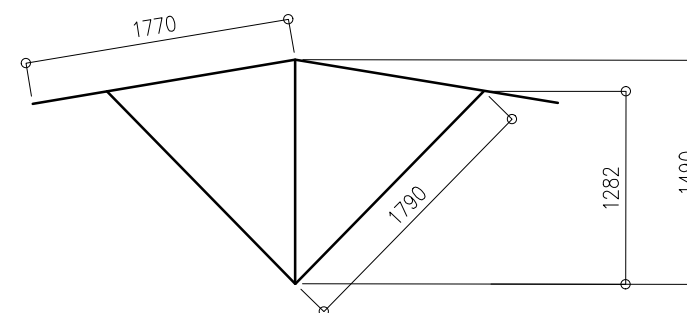
**RA 9266- SECTION 33**  
 THESE DRAWINGS, AS INSTRUMENT  
 OF PROFESSIONAL  
 SERVICE IS A PROPERTY OF THE  
 ARCHITECT AND AS SUCH CANNOT  
 BE REPRODUCED, COPIED IN PART  
 OR IN WHOLE  
 WITHOUT PROPER AUTHORIZATION.



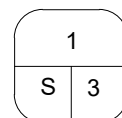
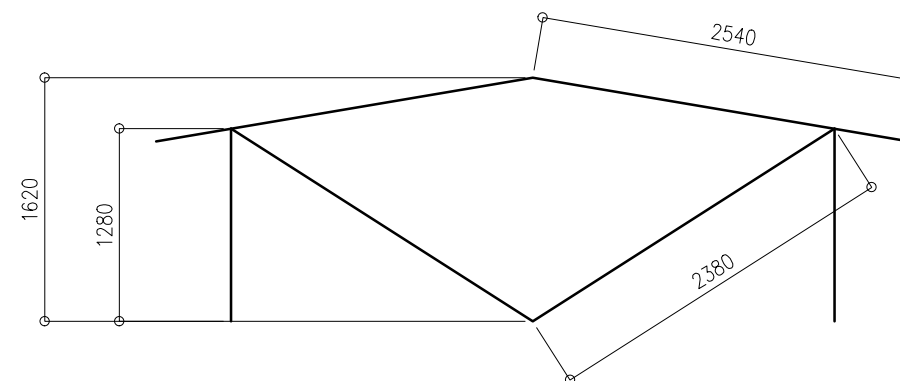
MAIN TRUSS DETAIL (10 sets)



(8 sets)



(8 sets)



**TRUSS DETAILS**

SCALE 1:50 m