



KALINGA STATE UNIVERSITY
INFRASTRUCTURE DEPARTMENT
BULANAO, TABUK CITY, KALINGA

PREPARED BY:

Engr. SHEENA MAE M. BANGIBANG
KSU PROJECT ENGINEER

REG. NO.
PTR. NO.
DATE
PLACE

CADD BY:

CHECKED BY:

REG. NO.
PTR. NO.
DATE
PLACE

END-USER:

PAULINE BUEN
END USER

PROJECT TITLE:

HIGH SCHOOL BUILDING REPAIR
(ROOFING, CEILING
AND DOWNSPOUT)

Project Location: Bulanao, Tabuk City, Kalinga
RECOMMENDING APPROVAL:

Arch. JENIE L. ABAD
HEAD, INFRASTRUCTURE PLANNING UNIT
Address: Bulanao, Tabuk City, Kalinga

APPROVED BY:

EDUARDO T. BAGTANG, CPA, DBM
SUC PRESIDENT III
Address: Bulanao, Tabuk City, Kalinga

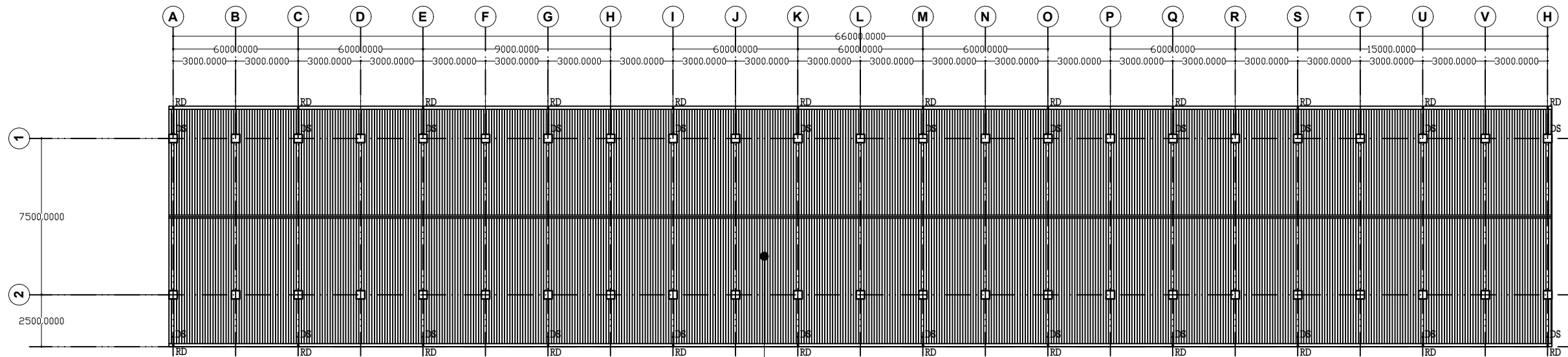
SHEET CONTENTS:

AS SHOWN

SHEET NUMBER: PAGE NUMBER:

OWNERSHIP OF DOCUMENTS

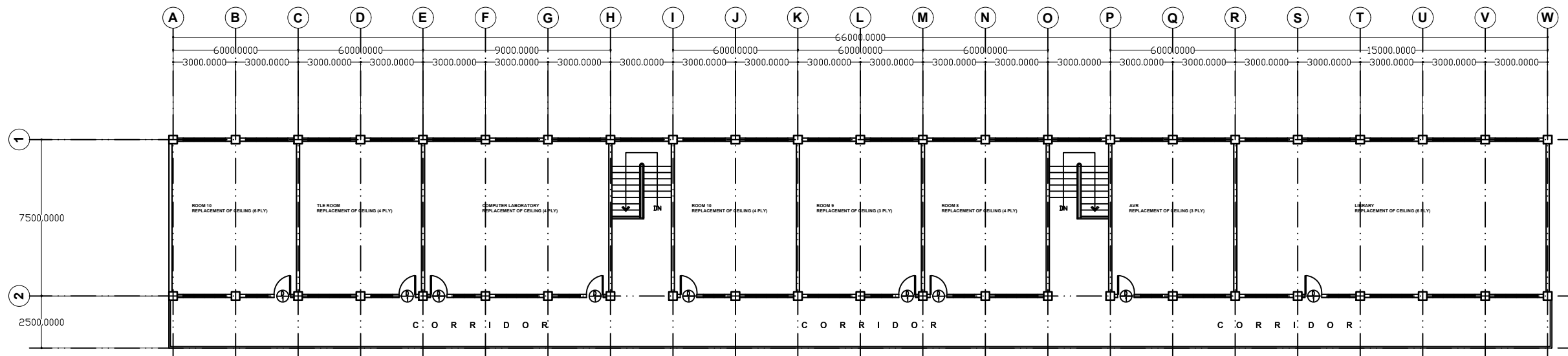
RA 9266- SECTION 33
THESE DRAWINGS, AS INSTRUMENT
OF PROFESSIONAL
SERVICE IS A PROPERTY OF THE
ARCHITECT AND AS SUCH CANNOT
BE REPRODUCED, COPIED IN PART
OR IN WHOLE
WITHOUT PROPER AUTHORIZATION.



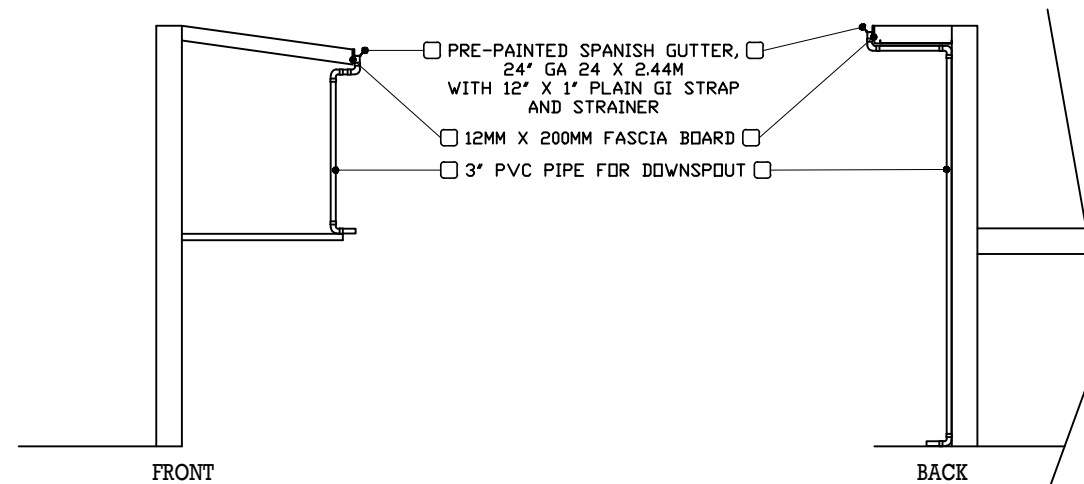
*EXISTING ROOF FRAMES (CHANNELS AND PURLINS) WILL BE REPAINTED/APPLIED WITH RUST CONVERTER

REPLACEMENT OF ALL EXISTING ROOFING SHEETS
WITH PRE-PAINTED CORRUGATED ROOFING, 0.5MM THK
(VERIFY COLOR)

1 ROOFING AND DOWNSPOUT PLAN
SCALE: 1:100M



1 SECOND FLOOR PLAN
SCALE: 1:100M



1 DOWNSPOUT CROSS SECTION
SCALE: 1:50M