



KALINGA STATE UNIVERSITY
INFRASTRUCTURE DEPARTMENT
 BULANAO, TABUK CITY, KALINGA

PREPARED BY:

RONNIE JUN L. TUDDAO
 KSU-CAD-Encoder/ Operator
 Address: Bulanao, Tabuk City, Kalinga

CHECKED BY:

ARCH. JENIE L. ABAD
 HEAD, INFRASTRUCTURE AND PLANNING UNIT
 Address: Bulanao, Tabuk City, Kalinga

END USER:

GIARHARD C. AWIS, MIT
 CAMPUS ADMINISTRATOR, BULANAO CAMPUS
 Address: Bulanao, Tabuk City, Kalinga

RECOMMENDING APPROVAL:

ENGR. RHONHON R. GARMING, MECE
 DIRECTOR, PLANNING AND STRATEGY
 Address: Bulanao, Tabuk City, Kalinga

APPROVED BY:

EDUARDO T. BAGTANG, CPA, DBM
 SUC PRESIDENT III
 Address: Bulanao, Tabuk City, Kalinga

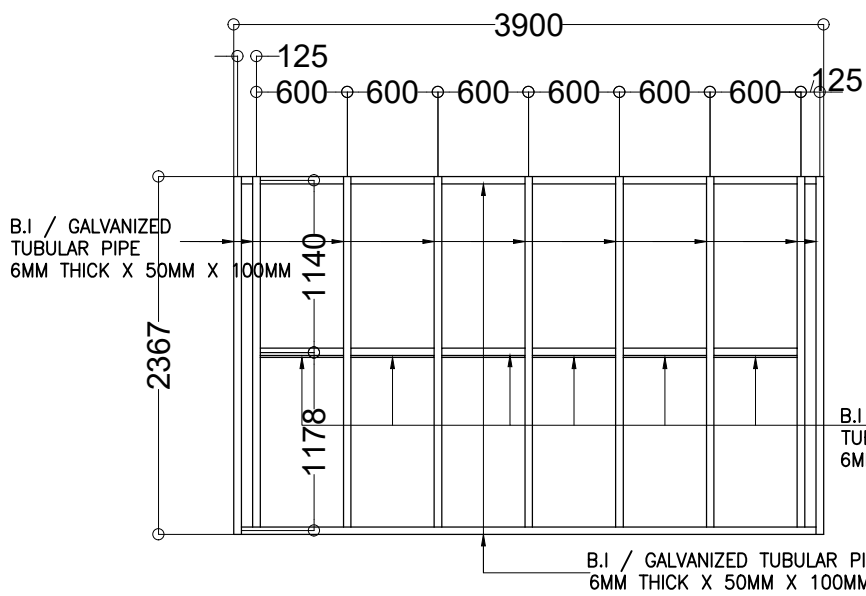
PROJECT TITLE:

REPAIR OF CANOPY AT LAW BUILDING

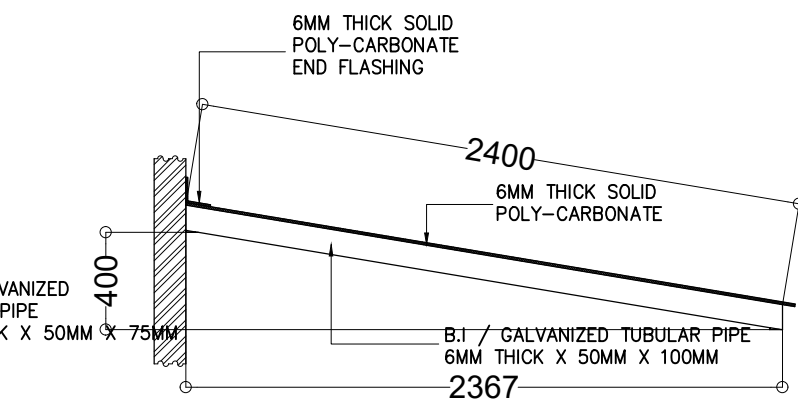
Project Location: Bulanao, Tabuk City, Kalinga
 SHEET CONTENTS:

AS SHOWN

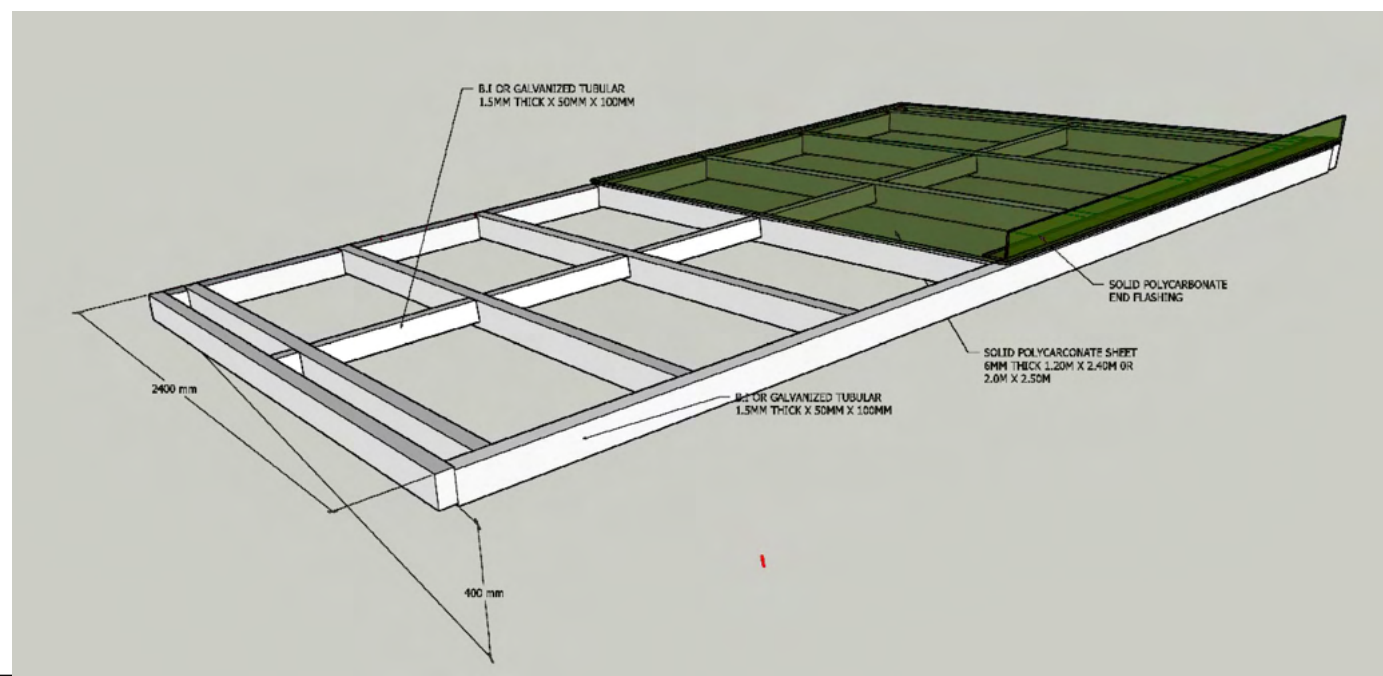
OWNERSHIP OF DOCUMENTS
RA 9266- SECTION 33
 THESE DRAWINGS, AS INSTRUMENT
 OF PROFESSIONAL
 SERVICE IS A PROPERTY OF THE
 ARCHITECT AND AS SUCH CANNOT
 BE REPRODUCED, COPIED IN PART
 OR IN WHOLE
 WITHOUT PROPER AUTHORIZATION.



CANOPY FRAMING
 SCALE 1:50mtrs.



CANOPY RAFTER TRUSS DET.
 SCALE 1:30mtrs.





KALINGA STATE UNIVERSITY
INFRASTRUCTURE DEPARTMENT
 BULANAO, TABUK CITY, KALINGA

PREPARED BY:

RONNIE JUN L. TUDDAO
 KSU-CAD-Encoder/ Operator

Address: Bulanao, Tabuk City, Kalinga

CHECKED BY:

ARCH. JENIE L. ABAD
 HEAD, INFRASTRUCTURE AND PLANNING UNIT

Address: Bulanao, Tabuk City, Kalinga

END USER:

GIARHARD C. AWIS, MIT
 CAMPUS ADMINISTRATOR, BULANAO CAMPUS

Address: Bulanao, Tabuk City, Kalinga

RECOMMENDING APPROVAL:

ENGR. RHONHON R. GARMING, MECE
 DIRECTOR, PLANNING AND STRATEGY

Address: Bulanao, Tabuk City, Kalinga

APPROVED BY:

EDUARDO T. BAGTANG, CPA, DBM
 SUC PRESIDENT III

Address: Bulanao, Tabuk City, Kalinga

PROJECT TITLE:

**REPAIR OF DOORS
 AT LAW BUILDING**

Project Location: Bulanao, Tabuk City, Kalinga

SHEET CONTENTS:

AS SHOWN

SHEET NUMBER:

PAGE NUMBER:

OWNERSHIP OF DOCUMENTS
RA 9266- SECTION 33
 THESE DRAWINGS, AS INSTRUMENT
 OF PROFESSIONAL
 SERVICE IS A PROPERTY OF THE
 ARCHITECT AND AS SUCH CANNOT
 BE REPRODUCED, COPIED IN PART
 OR IN WHOLE
 WITHOUT PROPER AUTHORIZATION.

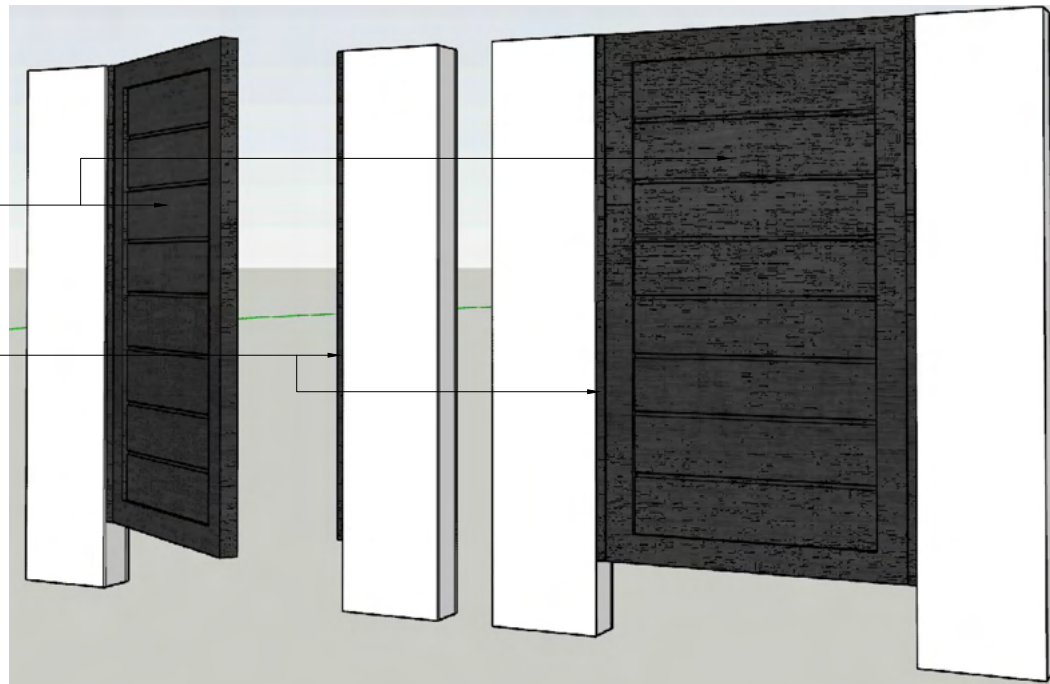
<p>DESCRIPTION: ALUMINUM FLUSH DOOR W/ DOOR JAMB</p> <p>STRAIGHT SIDE SECURITY LATCH SET ELF-CLOSING DOOR HINGE AUTOMATIC HEAVY DUTY STAINLESS STEEL ADJUSTABLE</p> <p>LOCATION: COMFORT ROOM SET: 8 SETS</p>	<p>DESCRIPTION: ALUMINUM FLUSH DOOR W/ DOOR JAMB</p> <p>STRAIGHT SIDE SECURITY LATCH SET ELF-CLOSING DOOR HINGE AUTOMATIC HEAVY DUTY STAINLESS STEEL ADJUSTABLE</p> <p>LOCATION: COMFORT ROOM SET: 4 SETS</p>	<p>DESCRIPTION: ALUMINUM FLUSH DOOR W/ DOOR JAMB</p> <p>STRAIGHT SIDE SECURITY LATCH SET ELF-CLOSING DOOR HINGE AUTOMATIC HEAVY DUTY STAINLESS STEEL ADJUSTABLE</p> <p>LOCATION: COMFORT ROOM SET: 4 SETS</p>	<p>DESCRIPTION: ALUMINUM FLUSH DOOR W/ DOOR JAMB</p> <p>STRAIGHT SIDE SECURITY LATCH SET ELF-CLOSING DOOR HINGE AUTOMATIC HEAVY DUTY STAINLESS STEEL ADJUSTABLE</p> <p>LOCATION: COMFORT ROOM SET: 4 SETS</p>

DOORS SCHEDULE

SCALE 1:40mtrs.

ALUMINUM DOOR FRAME/
 SOBC ANALOK
 WITH PANEL YP 200 DOUBLE
 BUSBODY SKIN ALUMINUM

ALUMINUM DOOR
 JAMB/ SOBC ANALOK





KALINGA STATE UNIVERSITY
INFRASTRUCTURE DEPARTMENT
 BULANAO, TABUK CITY, KALINGA

PREPARED BY:

RONNIE JUN L. TUDDAO
 KSU-CAD-Encoder/ Operator

Address: Bulanao, Tabuk City, Kalinga

CHECKED BY:

ARCH. JENIE L. ABAD
 HEAD, INFRASTRUCTURE AND PLANNING UNIT

Address: Bulanao, Tabuk City, Kalinga

END USER:

GIARHARD C. AWIS, MIT
 CAMPUS ADMINISTRATOR, BULANAO CAMPUS

Address: Bulanao, Tabuk City, Kalinga

RECOMMENDING APPROVAL:

ENGR. RHONHON R. GARMING, MECE
 DIRECTOR, PLANNING AND STRATEGY

Address: Bulanao, Tabuk City, Kalinga

APPROVED BY:

EDUARDO T. BAGTANG, CPA, DBM
 SUC PRESIDENT III

Address: Bulanao, Tabuk City, Kalinga

PROJECT TITLE:

**REPAIR OF TILES AT
 LAW BUILDING**

Project Location: Bulanao, Tabuk City, Kalinga

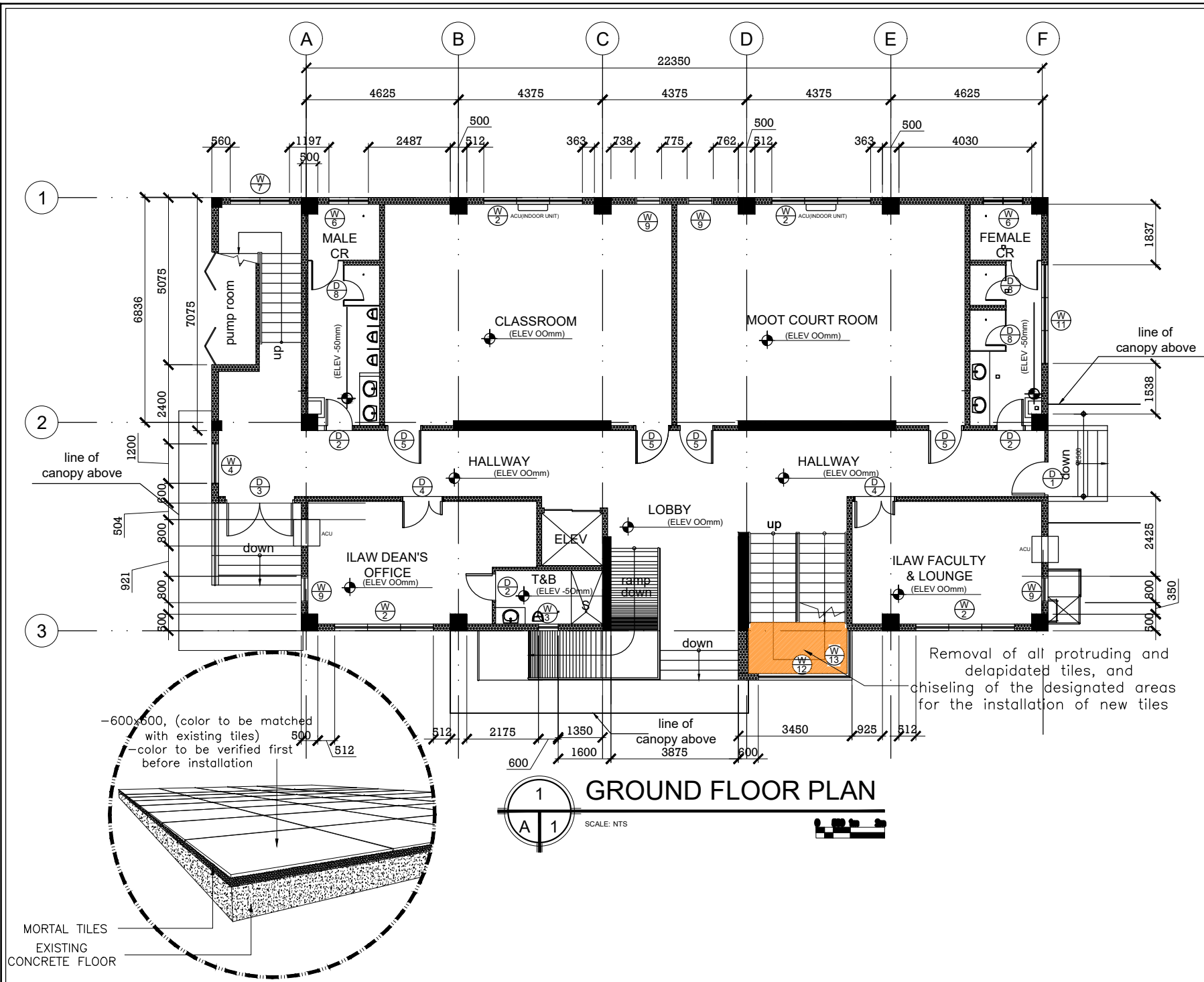
SHEET CONTENTS:

AS SHOWN

SHEET NUMBER:

PAGE NUMBER:

OWNERSHIP OF DOCUMENTS
RA 9266- SECTION 33
 THESE DRAWINGS, AS INSTRUMENT
 OF PROFESSIONAL
 SERVICE IS A PROPERTY OF THE
 ARCHITECT AND AS SUCH CANNOT
 BE REPRODUCED, COPIED IN PART
 OR IN WHOLE
 WITHOUT PROPER AUTHORIZATION.



GROUND FLOOR PLAN



SCALE: NTS





KALINGA STATE UNIVERSITY
INFRASTRUCTURE DEPARTMENT
 BULANAO, TABUK CITY, KALINGA

PREPARED BY:

RONNIE JUN L. TUDDAO
 KSU-CAD-Encoder/ Operator

Address: Bulanao, Tabuk City, Kalinga

CHECKED BY:

ARCH. JENIE L. ABAD
 HEAD, INFRASTRUCTURE AND PLANNING UNIT

Address: Bulanao, Tabuk City, Kalinga

END USER:

GIARHARD C. AWIS, MIT
 CAMPUS ADMINISTRATOR, BULANAO CAMPUS

Address: Bulanao, Tabuk City, Kalinga

RECOMMENDING APPROVAL:

ENGR. RHONHON R. GARMING, MECE
 DIRECTOR, PLANNING AND STRATEGY

Address: Bulanao, Tabuk City, Kalinga

APPROVED BY:

EDUARDO T. BAGTANG, CPA, DBM
 SUC PRESIDENT III

Address: Bulanao, Tabuk City, Kalinga

PROJECT TITLE:

**REPAIR OF TILES AT
 LAW BUILDING**

Project Location: Bulanao, Tabuk City, Kalinga

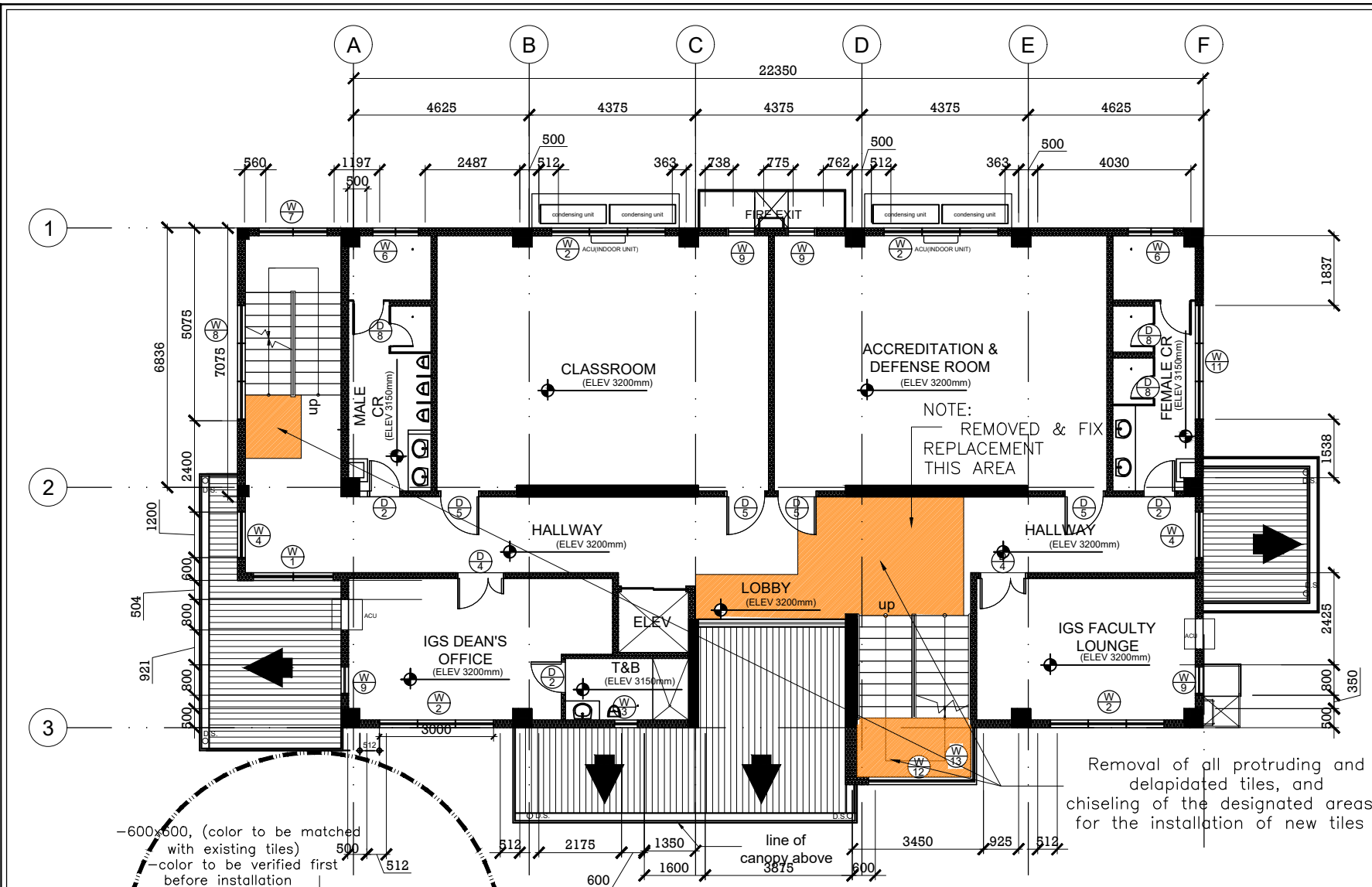
SHEET CONTENTS:

AS SHOWN

SHEET NUMBER:

PAGE NUMBER:

OWNERSHIP OF DOCUMENTS
RA 9266- SECTION 33
 THESE DRAWINGS, AS INSTRUMENT
 OF PROFESSIONAL
 SERVICE IS A PROPERTY OF THE
 ARCHITECT AND AS SUCH CANNOT
 BE REPRODUCED, COPIED IN PART
 OR IN WHOLE
 WITHOUT PROPER AUTHORIZATION.



1 SECOND FLOOR PLAN
 SCALE: NTS



KALINGA STATE UNIVERSITY
INFRASTRUCTURE DEPARTMENT
 BULANAO, TABUK CITY, KALINGA

PREPARED BY:

RONNIE JUN L. TUDDAO
 KSU-CAD-Encoder/ Operator

Address: Bulanao, Tabuk City, Kalinga

CHECKED BY:

ARCH. JENIE L. ABAD
 HEAD, INFRASTRUCTURE AND PLANNING UNIT

Address: Bulanao, Tabuk City, Kalinga

END USER:

GIARHARD C. AWIS, MIT
 CAMPUS ADMINISTRATOR, BULANAO CAMPUS

Address: Bulanao, Tabuk City, Kalinga

RECOMMENDING APPROVAL:

ENGR. RHONHON R. GARMING, MECE
 DIRECTOR, PLANNING AND STRATEGY

Address: Bulanao, Tabuk City, Kalinga

APPROVED BY:

EDUARDO T. BAGTANG, CPA, DBM
 SUC PRESIDENT III

Address: Bulanao, Tabuk City, Kalinga

PROJECT TITLE:

**REPAIR OF TILES AT
 LAW BUILDING**

Project Location: Bulanao, Tabuk City, Kalinga

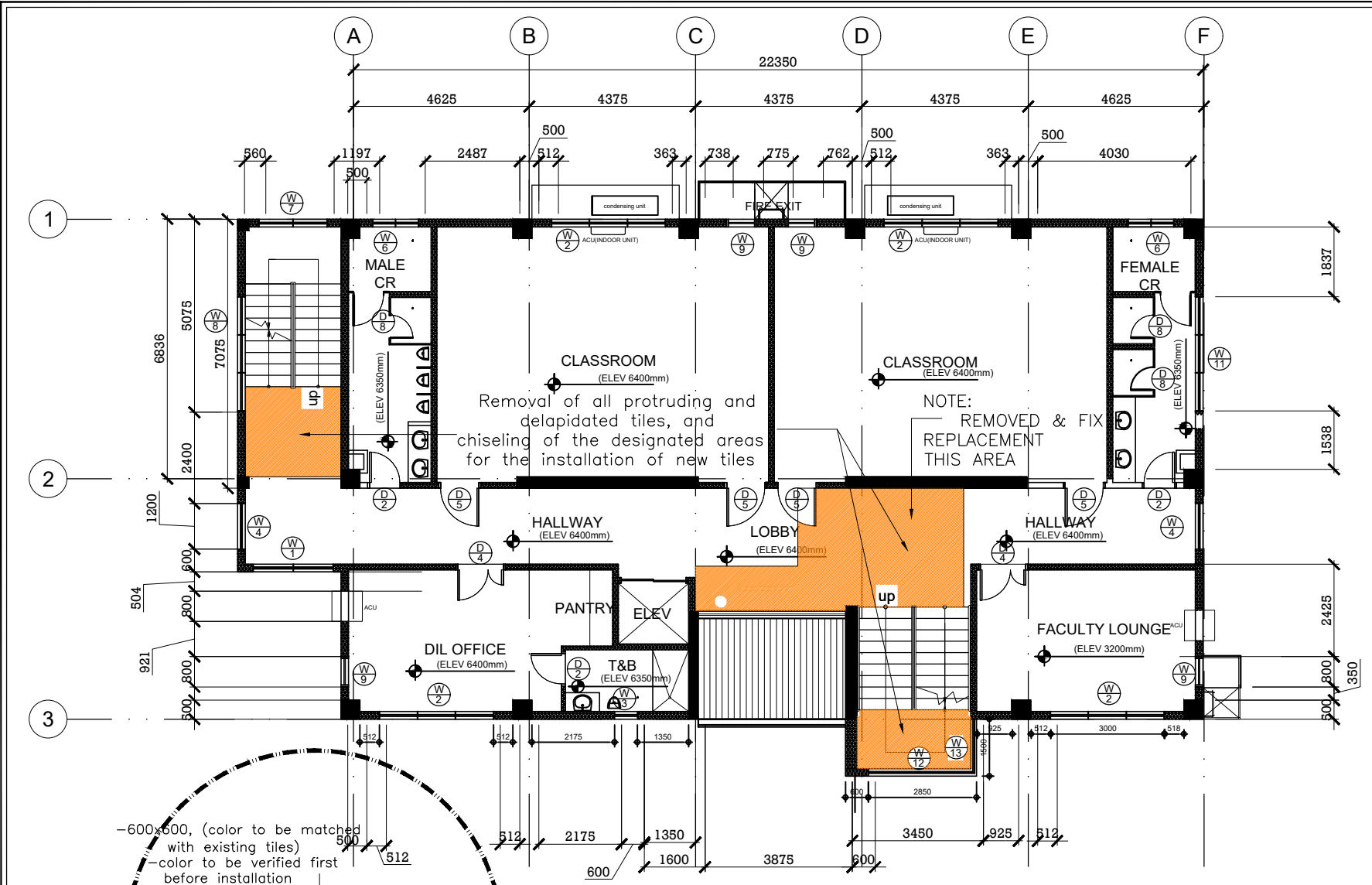
SHEET CONTENTS:

AS SHOWN

SHEET NUMBER:

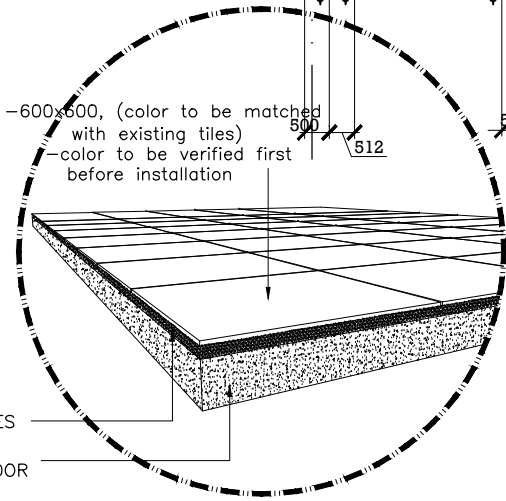
PAGE NUMBER:

OWNERSHIP OF DOCUMENTS
RA 9266- SECTION 33
 THESE DRAWINGS, AS INSTRUMENT
 OF PROFESSIONAL
 SERVICE IS A PROPERTY OF THE
 ARCHITECT AND AS SUCH CANNOT
 BE REPRODUCED, COPIED IN PART
 OR IN WHOLE
 WITHOUT PROPER AUTHORIZATION.



Removal of all protruding and delapidated tiles, and chiseling of the designated areas for the installation of new tiles

NOTE: REMOVED & FIX REPLACEMENT THIS AREA



1 THIRD FLOOR PLAN
 SCALE: NTS

