



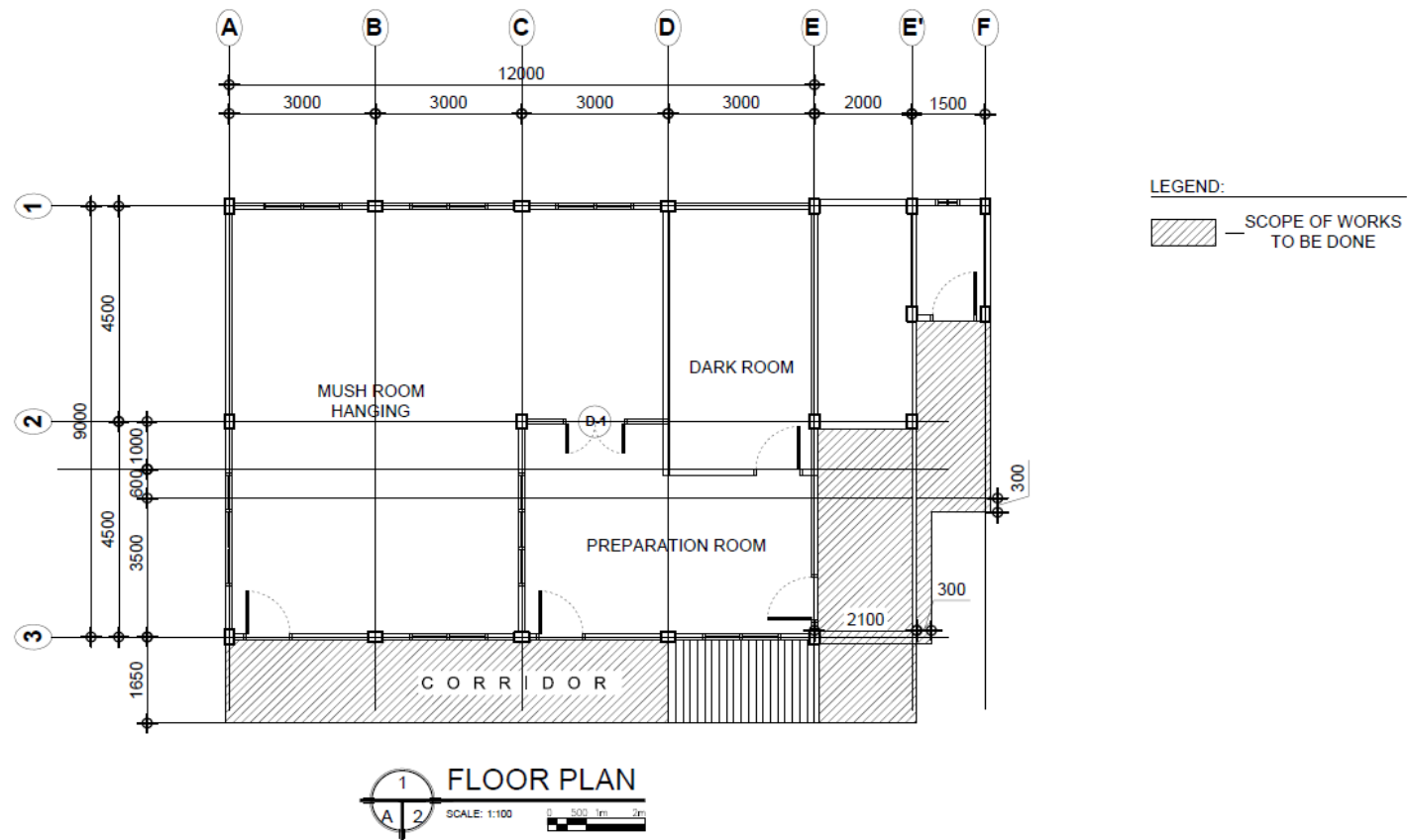
Annex D_Drawing/Plan

Name of Project: **IMPROVEMENT OF MUSHROOM BUILDING**



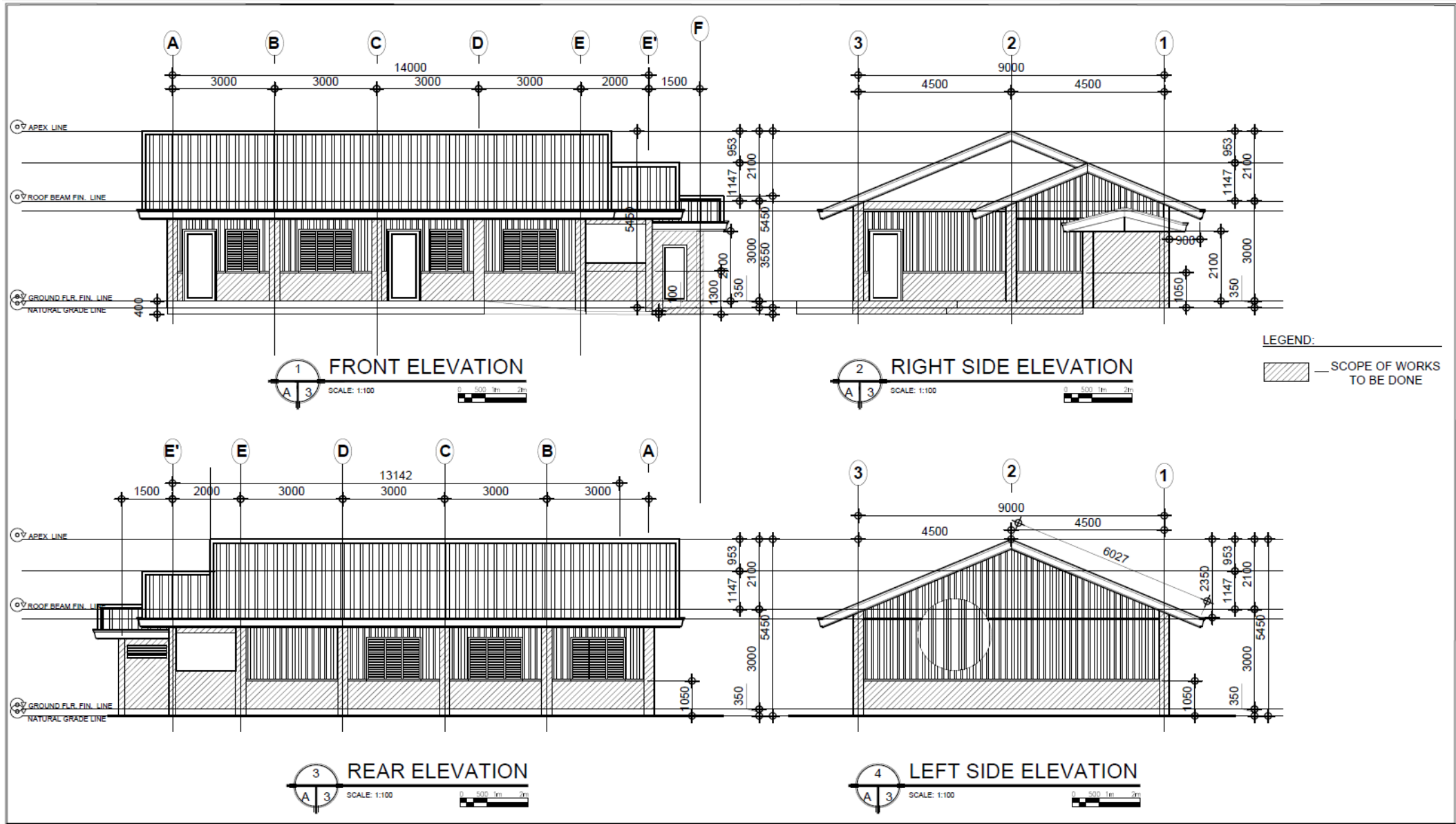


Republic of the Philippines
KALINGA STATE UNIVERSITY
BIDS AND AWARDS COMMITTEE
National Highway, Purok 6, Bulanao, Tabuk City, Kalinga
Website: <https://ksu.edu.ph> Email: procurementservice_bac@ksu.edu.ph Tel.No.: (074)627-5321



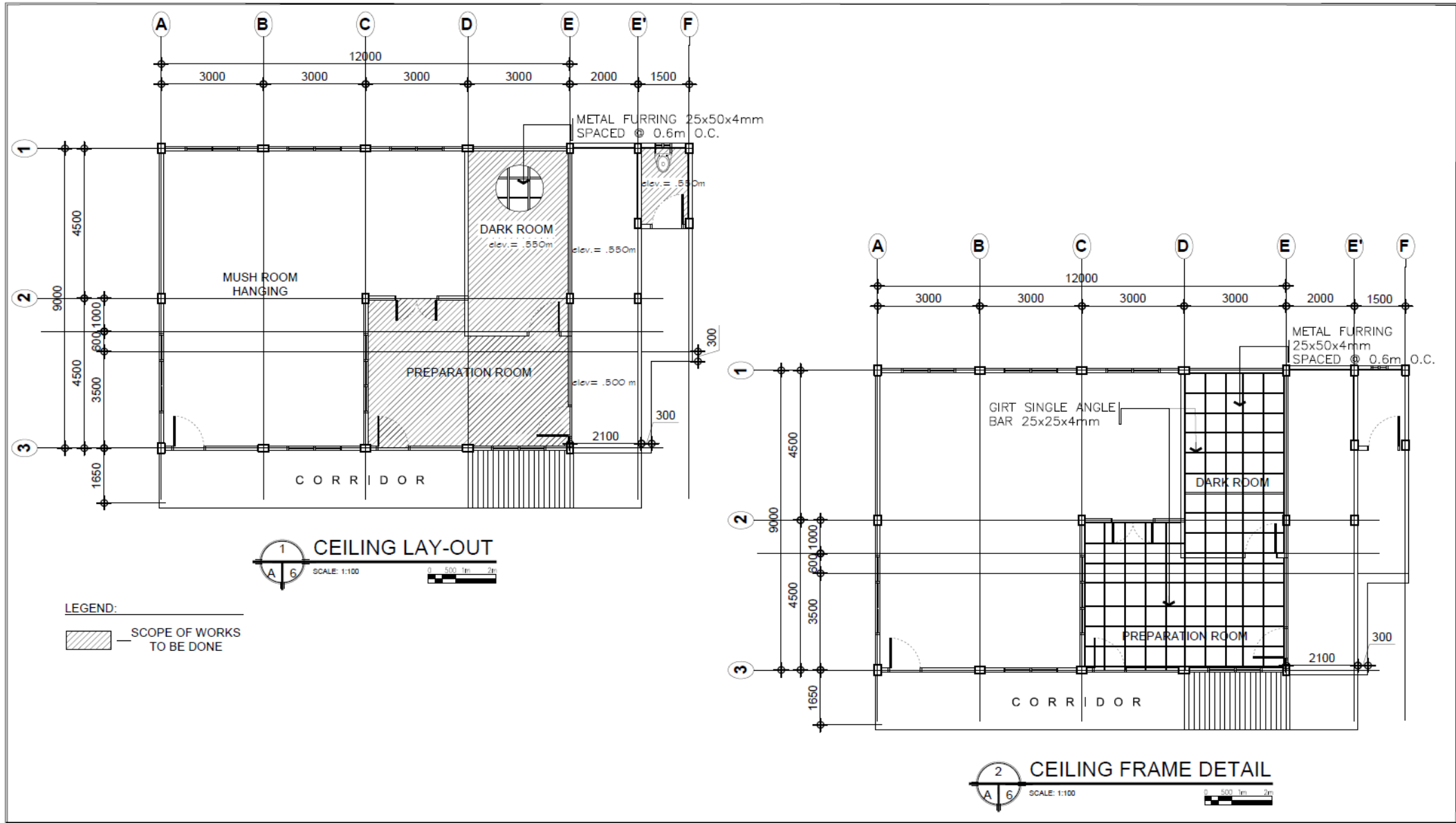


Republic of the Philippines
KALINGA STATE UNIVERSITY
BIDS AND AWARDS COMMITTEE
 National Highway, Purok 6, Bulanao, Tabuk City, Kalinga
 Website: <https://ksu.edu.ph> Email: procurementservice_bac@ksu.edu.ph Tel.No.: (074)627-5321



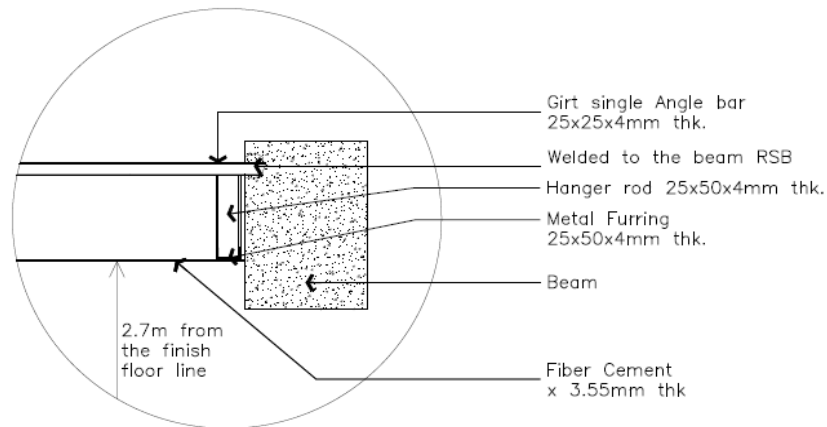
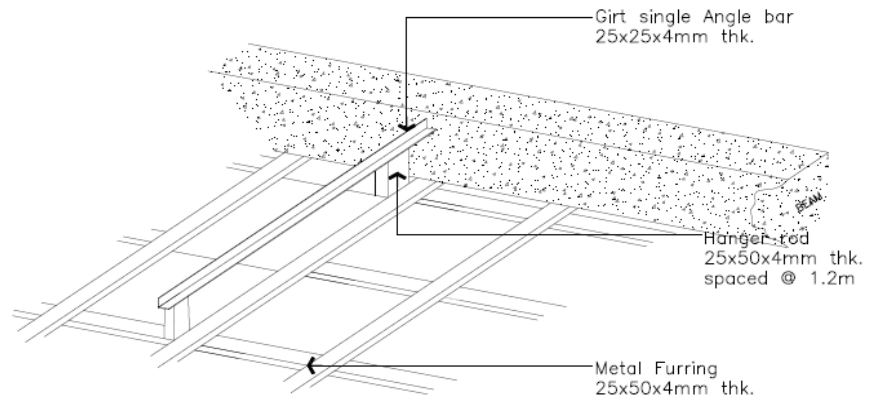


Republic of the Philippines
KALINGA STATE UNIVERSITY
BIDS AND AWARDS COMMITTEE
 National Highway, Purok 6, Bulanao, Tabuk City, Kalinga
 Website: <https://ksu.edu.ph> Email: procurementservice_bac@ksu.edu.ph Tel.No.: (074)627-5321

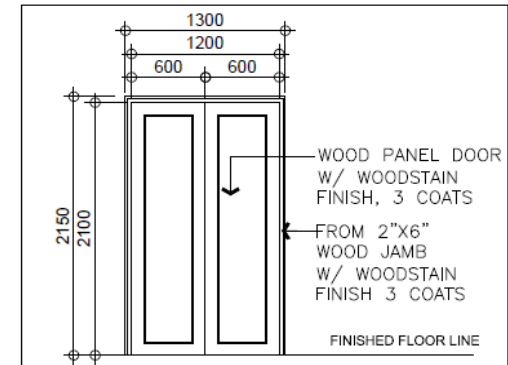




Republic of the Philippines
KALINGA STATE UNIVERSITY
BIDS AND AWARDS COMMITTEE
 National Highway, Purok 6, Bulanao, Tabuk City, Kalinga
 Website: <https://ksu.edu.ph> Email: procurementservice_bac@ksu.edu.ph Tel.No.: (074)627-5321



3 **CEILING DETAILS**
 SCALE: NTS



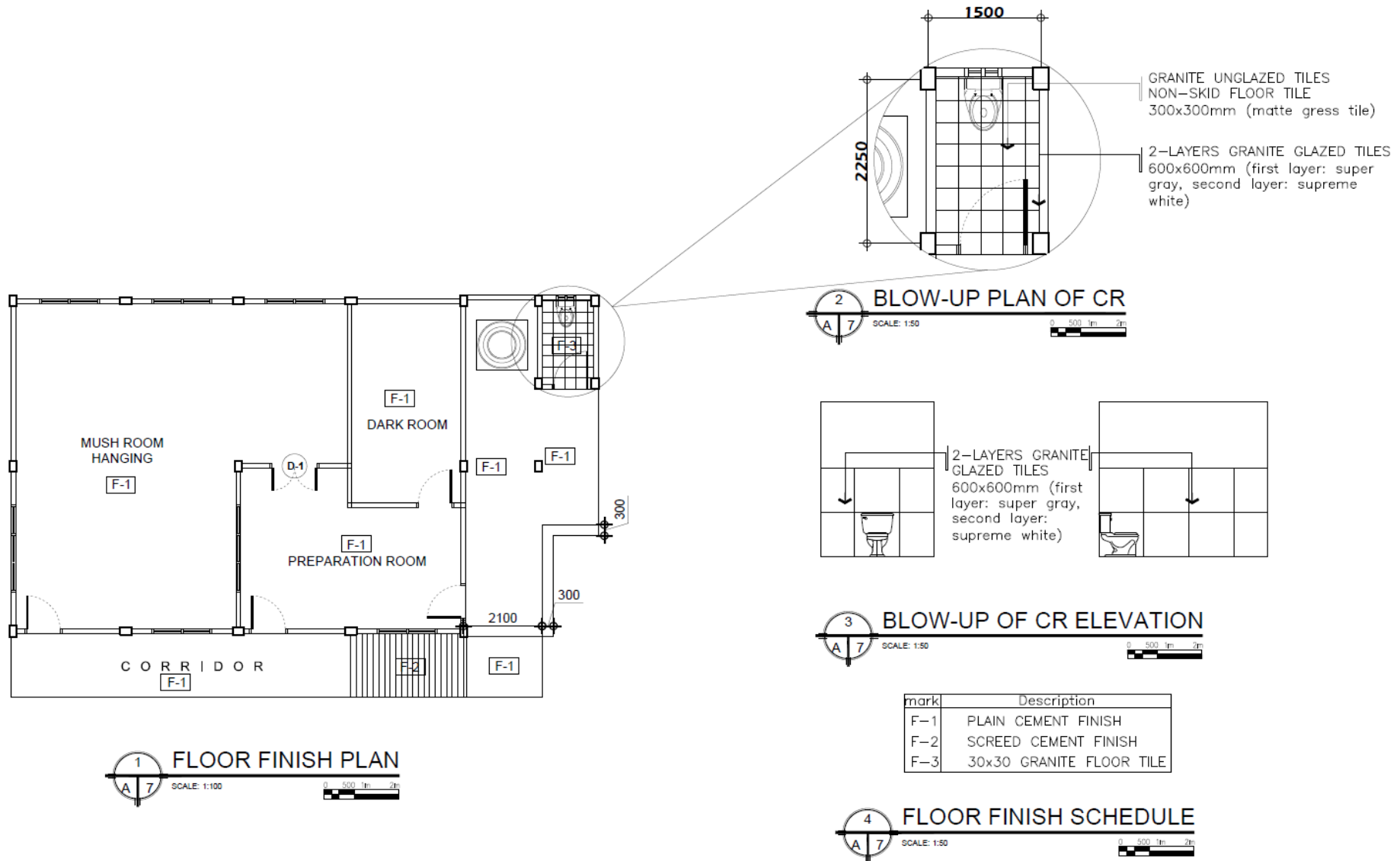
Note: Verify manufacturer/supplier's Design & specifications. show sample to architect prior to installat'n.

Mark	D-1
Description	PANEL DOOR w/ DOOR JAMB
No. of Sets	1
Location	PREPARATION ROOM

1 **SCHEDULE OF DOORS**
 SCALE: 1:40

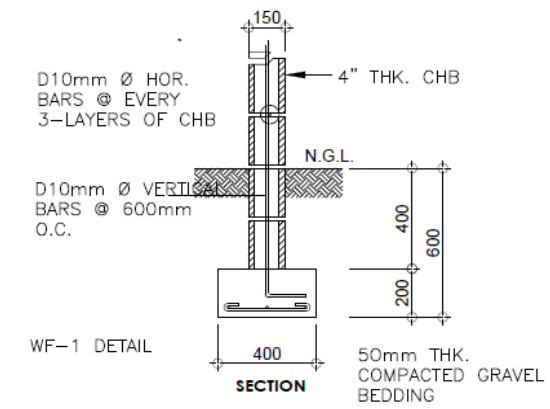
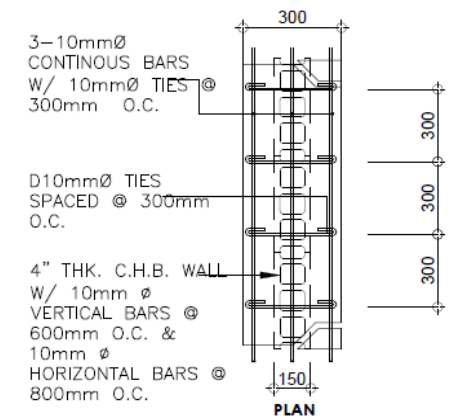
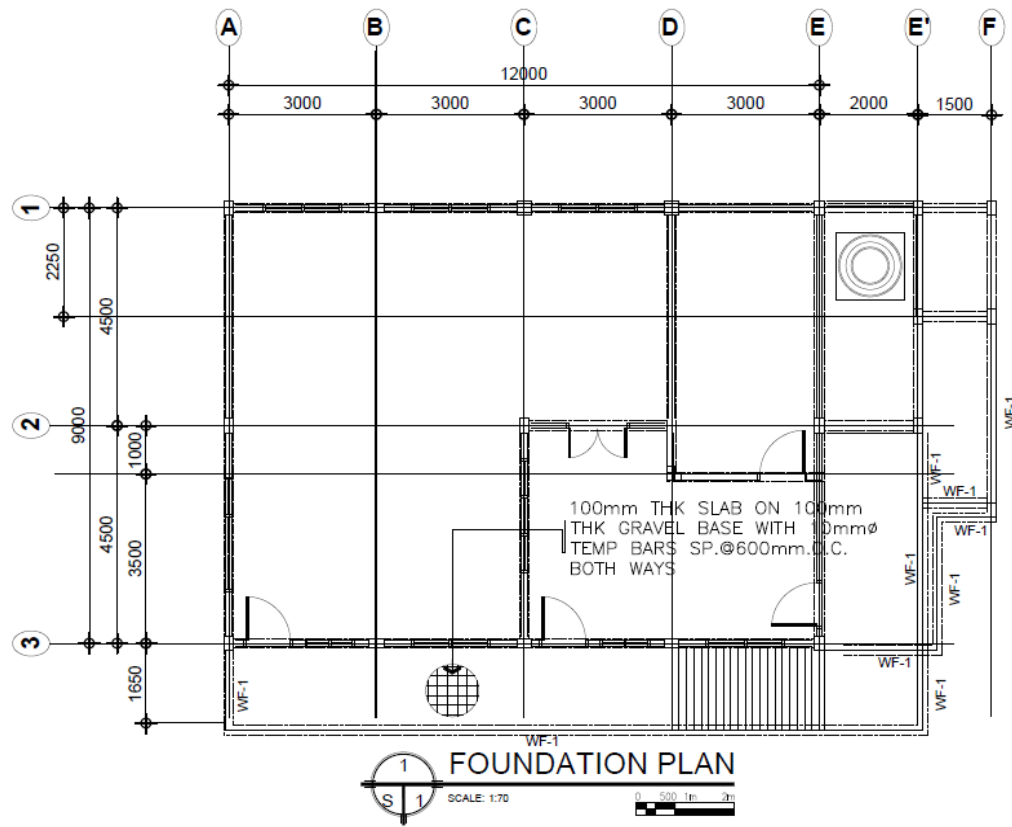


Republic of the Philippines
KALINGA STATE UNIVERSITY
BIDS AND AWARDS COMMITTEE
 National Highway, Purok 6, Bulanao, Tabuk City, Kalinga
 Website: <https://ksu.edu.ph> Email: procurementservice_bac@ksu.edu.ph Tel.No.: (074)627-5321





Republic of the Philippines
KALINGA STATE UNIVERSITY
BIDS AND AWARDS COMMITTEE
 National Highway, Purok 6, Bulanao, Tabuk City, Kalinga
 Website: <https://ksu.edu.ph> Email: procurementservice_bac@ksu.edu.ph Tel.No.: (074)627-5321

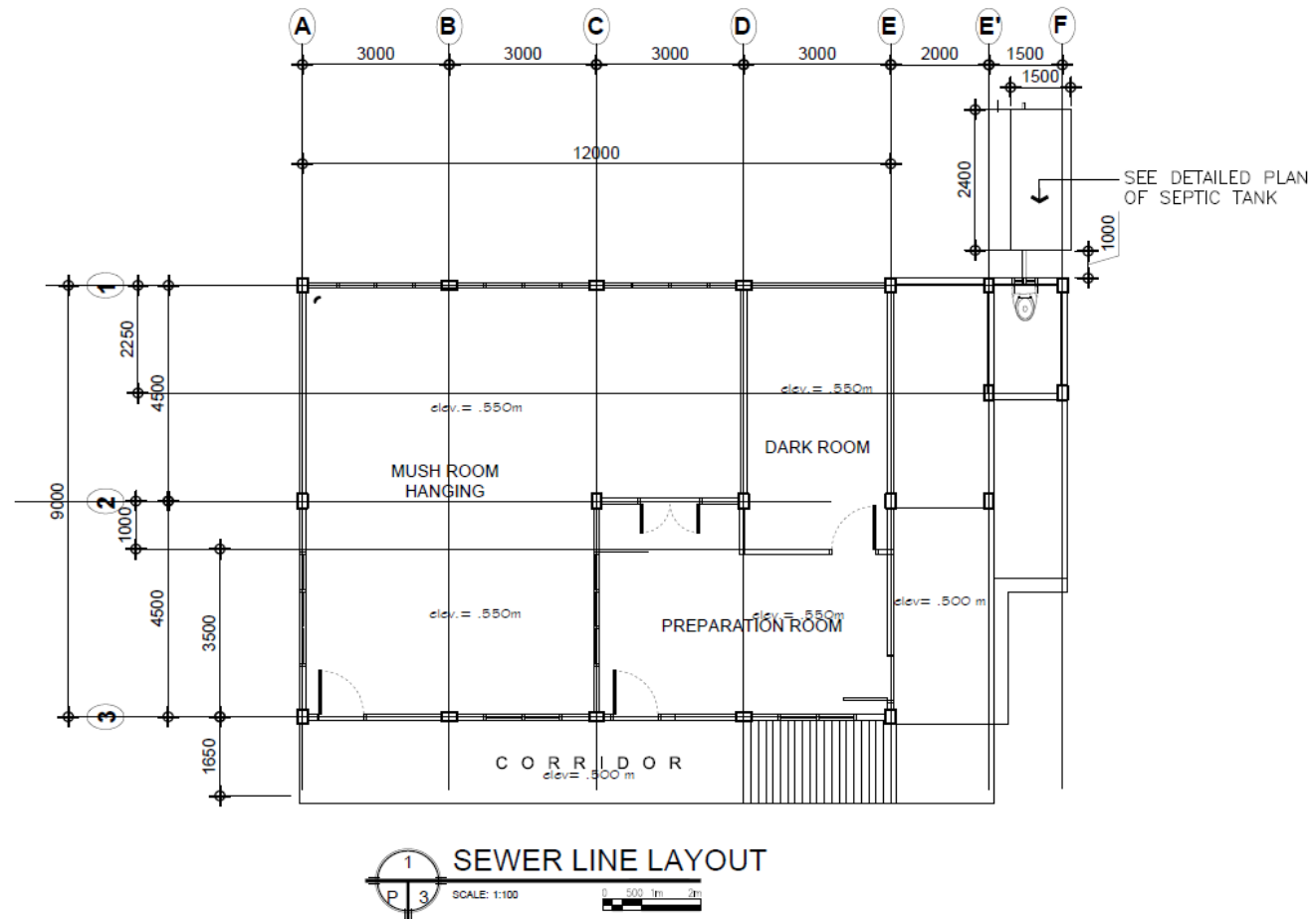


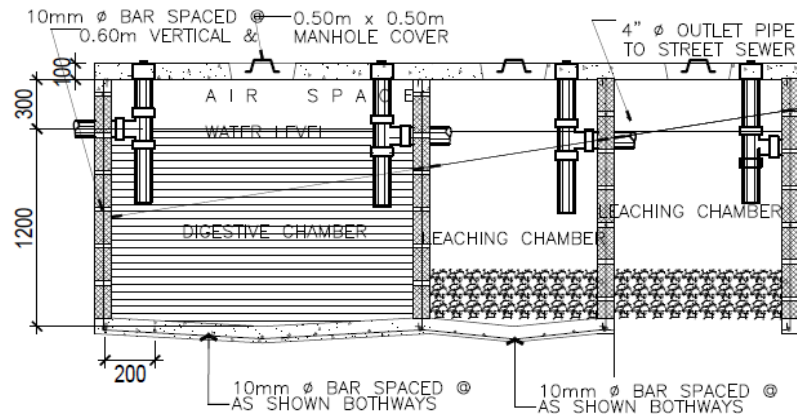
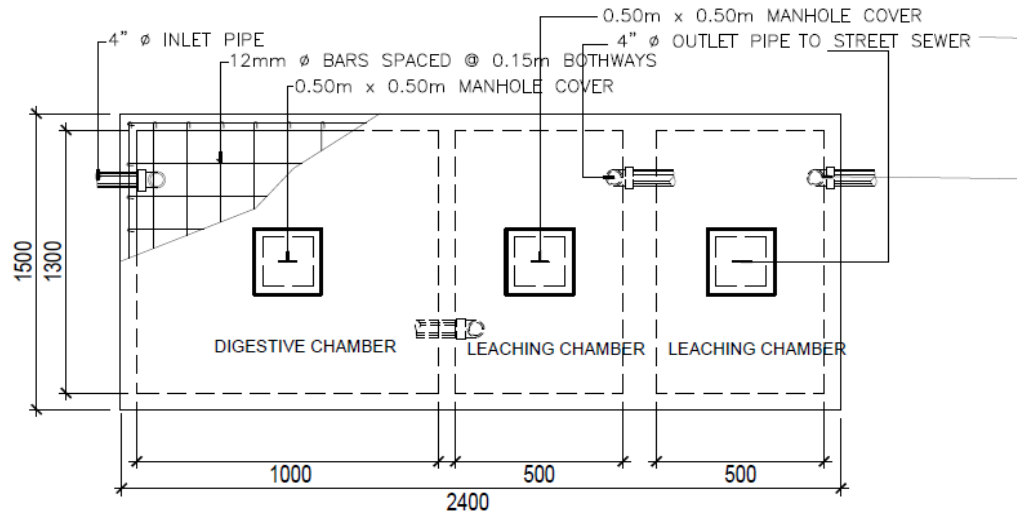
ZOCALO WALL FOOTING DETAILS



Republic of the Philippines
KALINGA STATE UNIVERSITY
BIDS AND AWARDS COMMITTEE

National Highway, Purok 6, Bulanao, Tabuk City, Kalinga
Website: <https://ksu.edu.ph> Email: procurementservice_bac@ksu.edu.ph Tel.No.: (074)627-5321





SEPTIC TANK DETAIL
 SCALE: 1:20

GENERAL PLUMBING NOTES

1. ALL WORKS SHALL BE DONE IN ACCORDANCE WITH THE NATIONAL PLUMBING CODE AND LOCAL CODE REQUIREMENTS AND SUBDIVISION REQUIREMENTS.
2. THE PLUMBING LAYOUT IS ONLY DIAGRAMATIC PIPES, CLEANOUTS, AND CHECK VALVES SHALL BE CONCEALED AS POSSIBLE.
3. ALL PLUMBING SHALL NOT BE EMBEDDED ON STRUCTURAL PARTS UNLESS OTHERWISE SPECIFIED.
4. MINIMUM SLOPE FOR SEWERAGE SHALL BE 2% AND DRAIN 1%.
5. ALL CO'S SHALL BE FLUSHED MOUNTED TO WALL AND PROVIDE WITH POLISHED COVER CAPS. DO NOT INSTALL CLEAN OUTS EXCEPT AT LINE ON GRADE AND SERVICE NOT SUBJECTED TO TRAFFIC FLOWS.
6. ALL UNDERGROUND G.I. PIPES IN DIRECT CONTACT WITH THE SOIL SHALL BE PROVIDED WITH TWO COATS OF PROTECTIVE TAR COVERED AND WRAPPED WITH JUTE CLOTHES THOROUGHLY SOAKED WITH TAR.
7. PROVIDE VENTILATION STACK THROUGH ROOF OF PVC AS REQUIRED AND SHOWN IN TYHE PLANS.
8. PROVIDE GATE VALVES TO ALLOW AND CONTROL WATER FROM WATER SOURCE.
9. PROVIDE WATER PRESSURIZED TANK TO MEET THE WATER DEMAND FROM 1ST TO DECK FLOOR.
10. ALL PLUMBING WORKS SHALL BE UNDER THE DIRECT SUPERVISION OF A DULY LICENCED SANITARY ENGINEER OR A MASTER PLUMBER.

PLUMBING LEGEND

CO	CLEANOUT
DS	DOWNSPOUT
FD	FLOOR DRAIN
KSF	KITCHEN SINK FAUCET
WC	WATER CLOSET
LAV	LAVATORY
KS	KITCHEN SINK
(M)	WATER METER
GV	GATE VALVE
CV	CHECK VALVE
—	WASTE LINE
- - - -	WATER LINE

PLUMBING SYMBOLS

	TEE
	WYE BRANCHES
	CLEANOUT
	45° ELBOW
	90° ELBOW
	P-TRAP
	COUPLING
	REDUCER
	CHECK VALVE
	GATE VALVE
	WATER METER
	VSTR