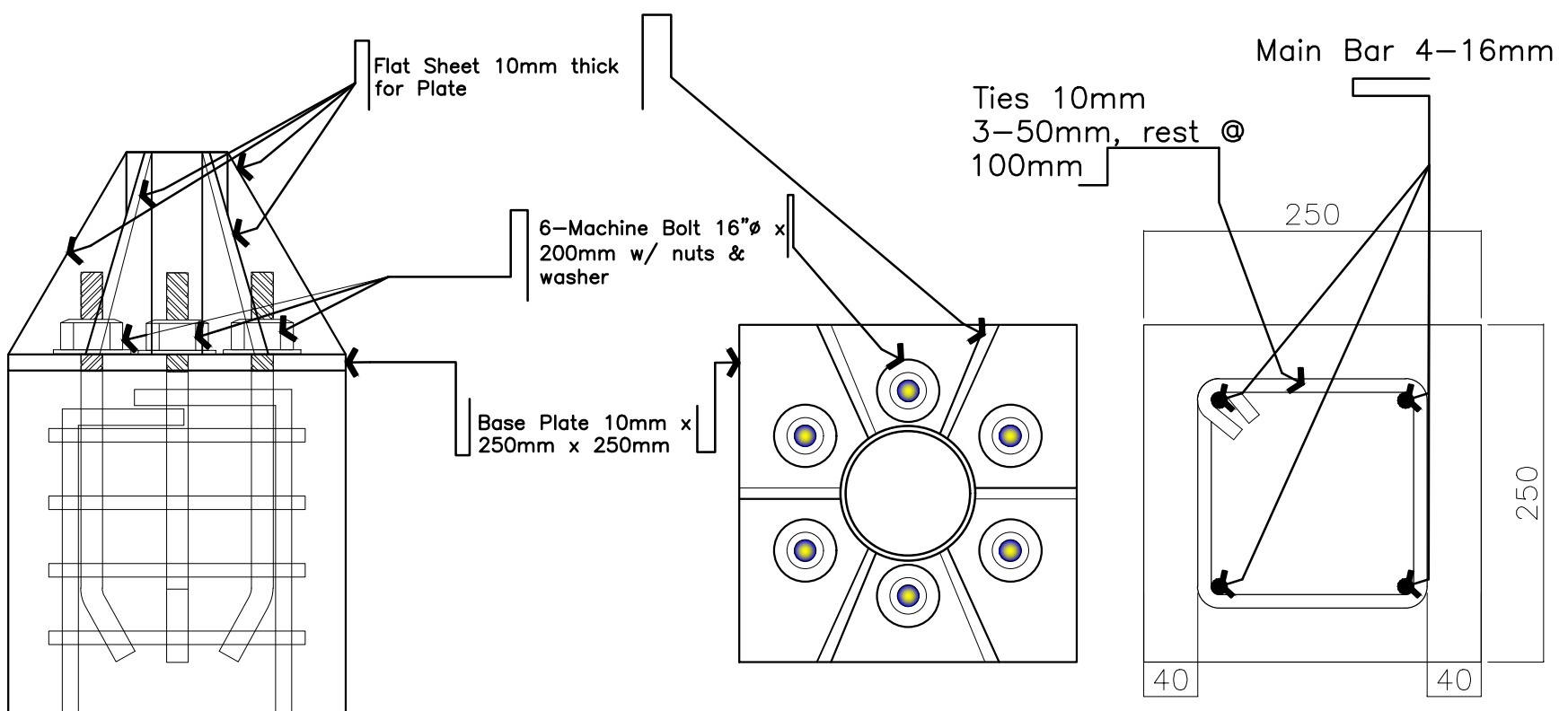


1  
S 4

**DETAIL OF COVERED BLEACHERS GRID B-F**

SCALE

1:40 m.



2  
S 4

**COLUMN TO POST CONNECTION DETAIL**

SCALE

1:5 m.

<p><b>KALINGA STATE UNIVERSITY</b> INFRASTRUCTURE DEPARTMENT BULANAO, TABUK CITY, KALINGA</p>	PREPARED BY:	CADD BY:	CHECKED BY:	REVIEWED BY:	CONCURRED BY:	PROJECT TITLE:	RECOMMENDING APPROVAL:	APPROVED BY:	SHEET CONTENTS:	SHEET NO.:
	KSU- INFRA UNIT	JDO	Engr. ALLAN JAY D. CUBIT CHAIRMAN FOR CONSTRUCTION	Arch. JENIE L. ABAD CHAIRMAN FOR PLANNING	VICTORINO D. BAYED, Ph.D. END-USER/ CAMPUS ADMINISTRATOR-RIZAL CAMPUS	PROPOSED COVERED COURT OF RIZAL CAMPUS	Engr. LOPE T. BUEN, Ph. D. DIRECTOR FOR PLANNING AND STRATEGY	EDUARDO T. BAGTANG, CPA,DBM KSU PRESIDENT		
	REG. NO.:	RA 9286- SECTION 33	REG. NO.:	REG. NO.:	Address:	Project Location:	Address:	Address:		PAGE NO.:
	PTR. NO.:		PTR. NO.:	PTR. NO.:	Sitio Bulbul, Rizal, Kalinga	Sitio Bulbul, Rizal, Kalinga	Bulanao, Tabuk City, Kalinga	Bulanao, Tabuk City, Kalinga		