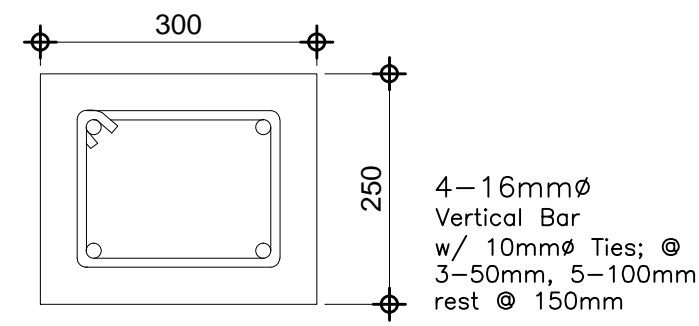
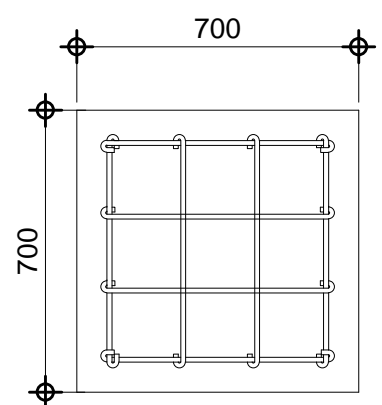


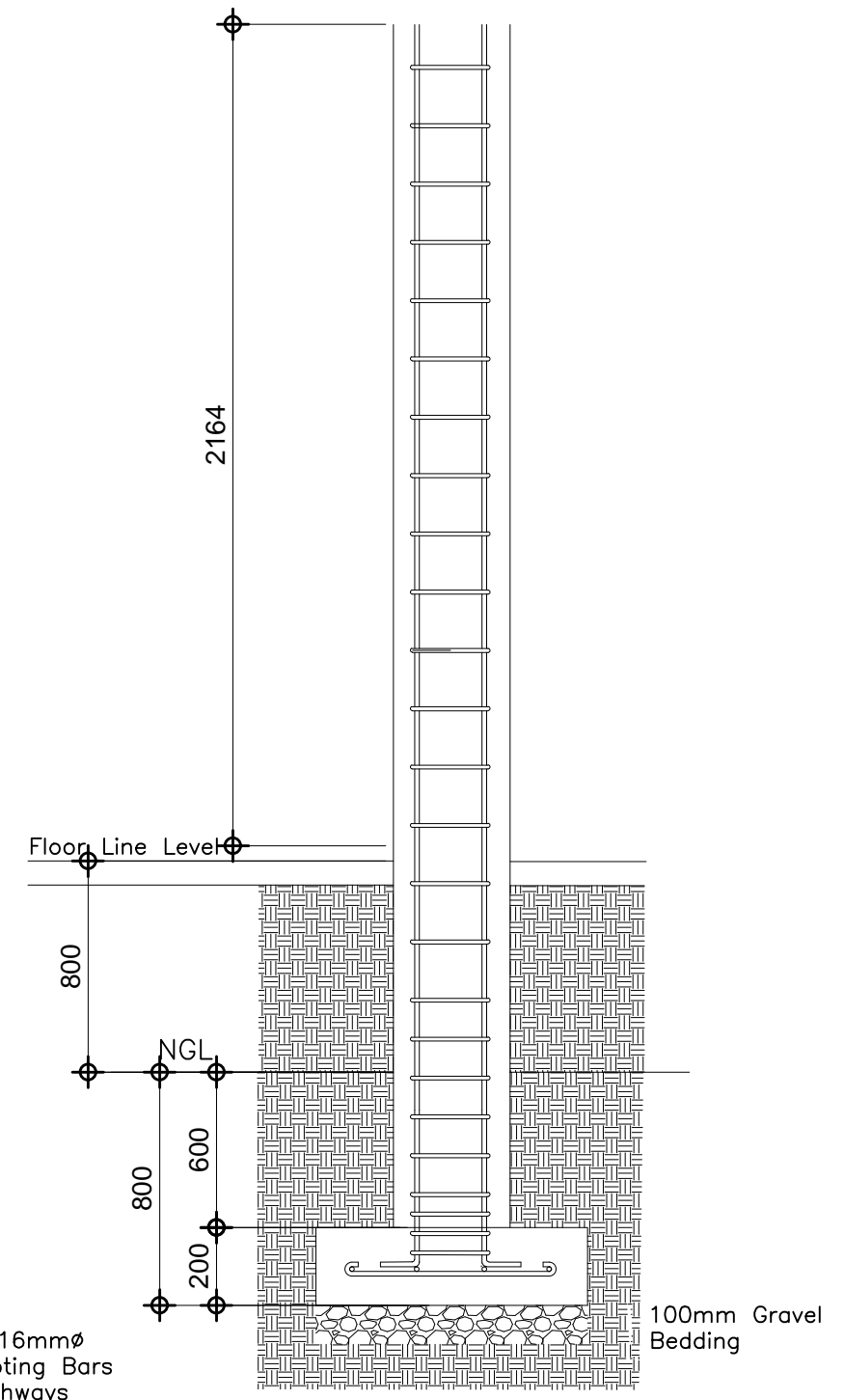
**2** COLUMN AND FOUNDATION LAYOUT  
 SCALE: 1:50  
 0 500 1m 2m



**2** COL. DET.  
 SCALE: 1:10  
 0 500 1m 2m



**2** COLUMN & FOOTING ELEV. DET.  
 SCALE: 1:20  
 0 500 1m 2m



**KALINGA STATE UNIVERSITY**  
**INFRASTRUCTURE DEPARTMENT**  
 BULANAO, TABUK CITY, KALINGA

ARCHITECT:		CADD BY:	CHECKED BY: <b>Arch. DAVE D. OCNAT</b> CHAIRMAN FOR INFRASTRUCTURE	REVIEWED BY: <b>Engr. CHRISTIAN LOUIE B. ADORA</b> CHAIRMAN FOR PLANNING	REVISIONS	PROJECT TITLE <b>ALUMNI CENTER CR EXPANSION</b>	RECOMMENDING APPROVAL: Engr. RHONJHON R. GARMING DIRECTOR FOR PLANNING AND STRATEGY	APPROVED BY: EDUARDO T. BAGTANG, CPA,DBM KSU PRESIDENT	SHEET CONTENT/S	SHEET NO.	
REG. NO.		OWNERSHIP OF DOCUMENTS RA 9266- SECTION 33		REG. NO.		Project Location: Kalinga State University-Bulanao Campus	Address: Bulanao, Tabuk City, Kalinga	Address: Bulanao, Tabuk City, Kalinga		PAGE NO.	
PTR. NO.		THESE DRAWINGS, AS INSTRUMENT OF PROFESSIONAL SERVICE IS A PROPERTY OF THE ARCHITECT AND AS SUCH CANNOT BE REPRODUCED, COPIED IN PART OR IN WHOLE WITHOUT PROPER AUTHORIZATION.		PTR. NO.							
DATE				DATE							
PLACE				PLACE							