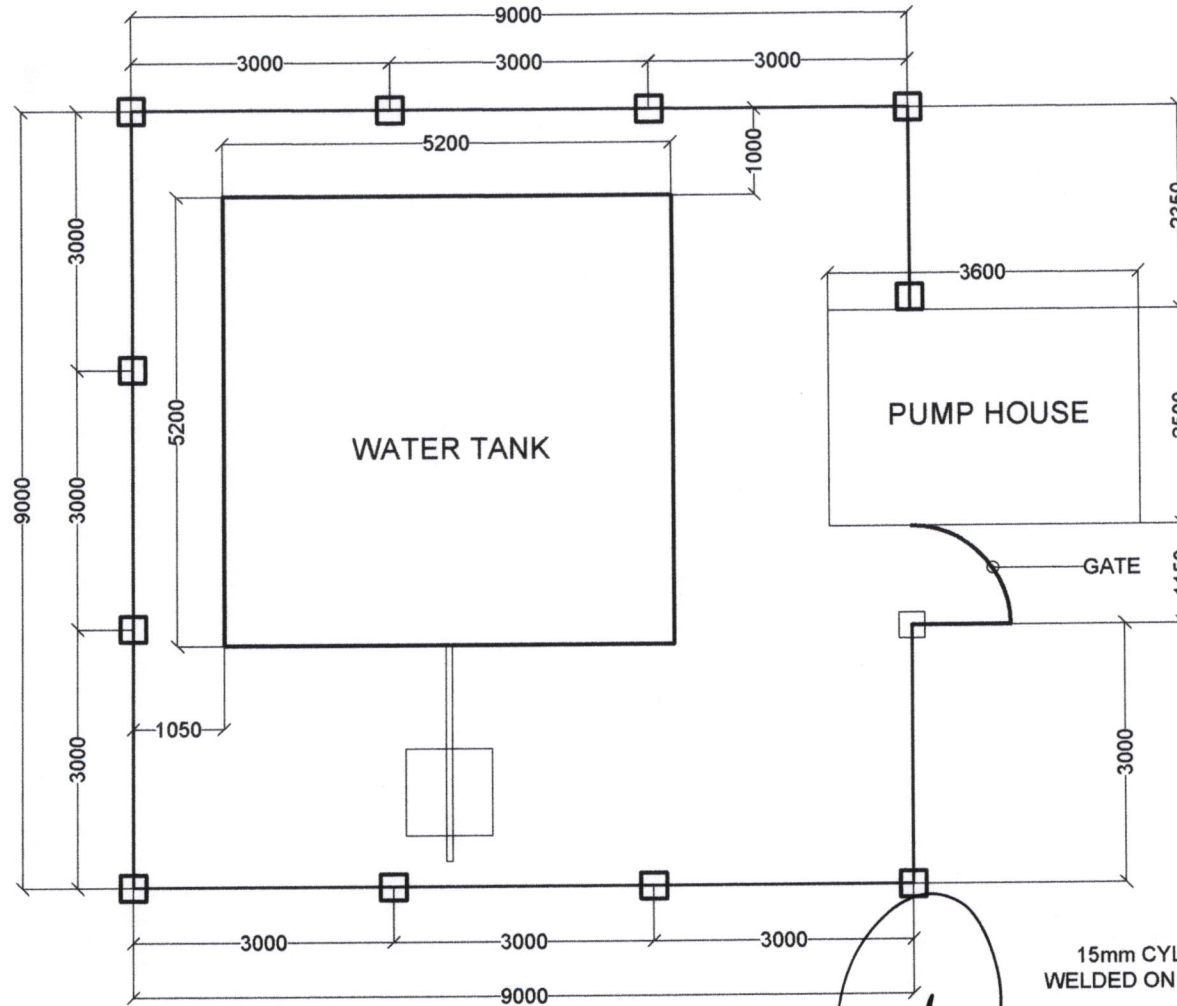


● WATER SOURCE

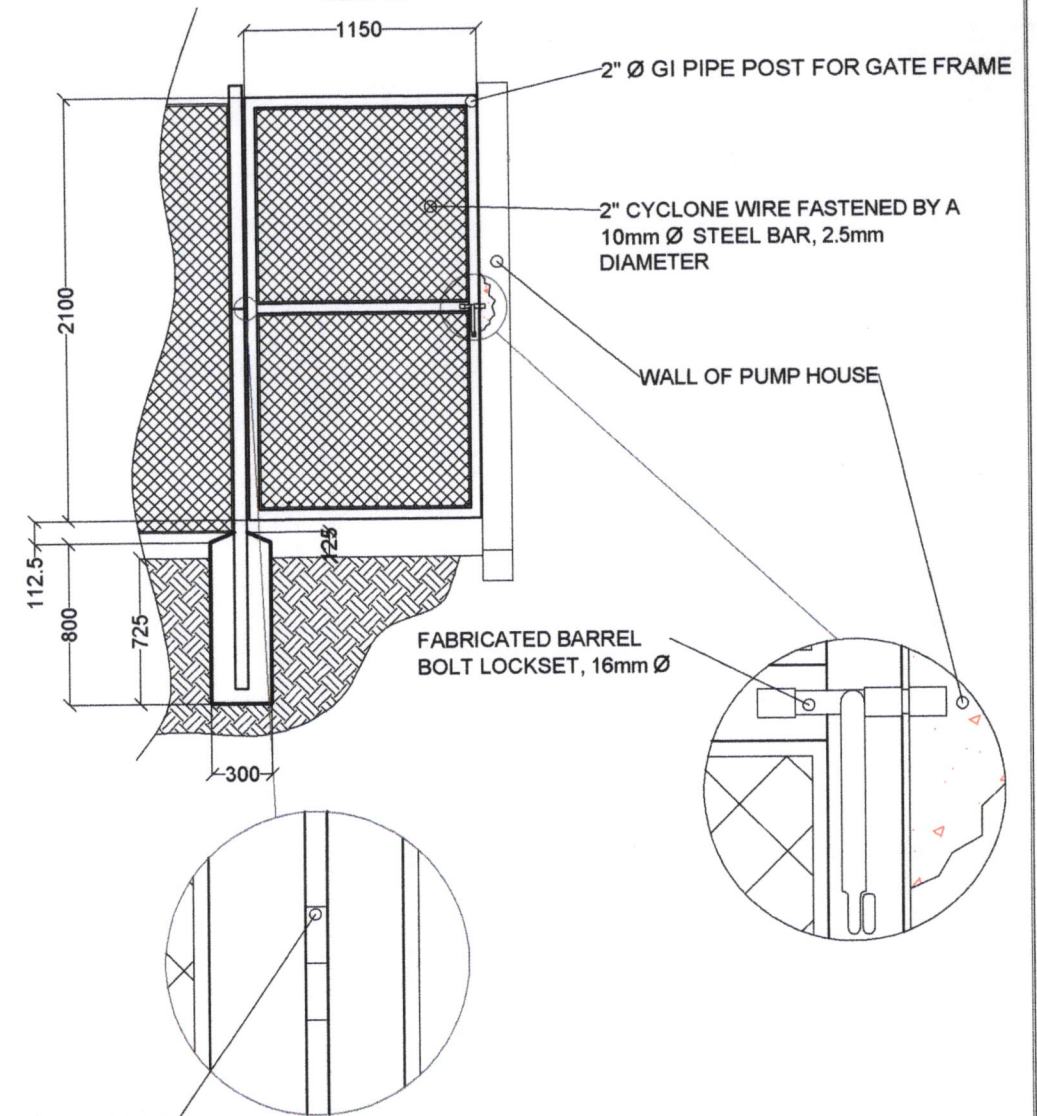
1  
A 1

WATER TANK PERIMETER FENCING LAYOUT  
SCALE: 1:70m



2  
A 1

GATE DETAILS  
SCALE: 1:30m



3  
A 1

HINGE AND BARREL BOLT  
LOCKSET DETAILS  
SCALE: 1:4m

15mm CYLINDRICAL HINGE TO BE  
WELDED ON GI POST AND GI FRAME  
OF GATE, 3 SETS

KALINGA STATE UNIVERSITY  
INFRASTRUCTURE DEPARTMENT  
BULANAO, TABUK CITY, KALINGA

ARCHITECT  
REG. NO.  
PTR. NO.  
DATE  
PLACE

CADD BY  
CHECKED BY  
REVIEWED BY  
REVISIONS  
DESCRIPTION  
PROJECT TITLE  
RECOMMENDING APPROVAL  
APPROVED BY  
SHEET CONTENTS/S  
SHEET NO.

BDW  
Arch. DAVE D. OCNAT  
OWNERSHIP OF DOCUMENTS  
RA 9286, SECTION 33  
Engr. CHRISTIAN GUE B. ADORA  
CHAIRMAN OF PLANNING  
REG. NO.  
PTR. NO.  
DATE  
PLACE

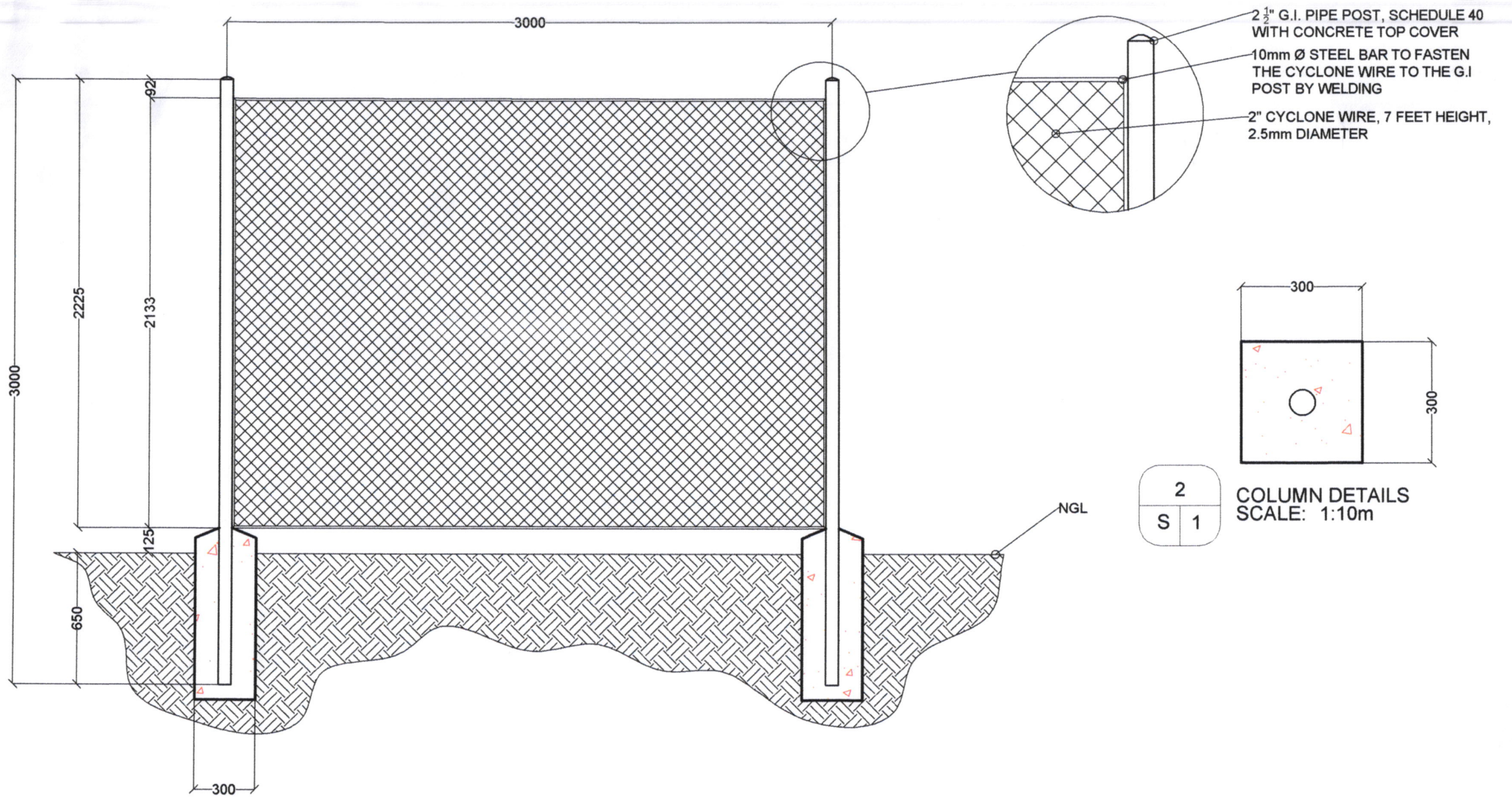
PERIMETER FENCING AT WATER  
TANK  
Project Location:  
Bulanao, Tabuk City, Kalinga

Engr. EDUARDO T. BAKTANG, CPA, DBM  
DIRECTOR FOR PLANNING AND STRATEGY  
Address:  
Bulanao, Tabuk City, Kalinga

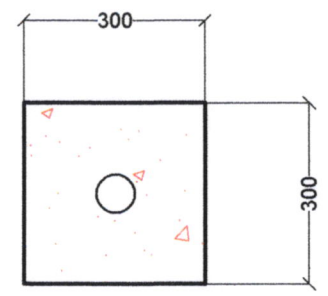
Engr. EDUARDO T. BAKTANG, CPA, DBM  
KSU PRESIDENT  
Address:  
Bulanao, Tabuk City, Kalinga

FENCING  
LAYOUT

A 1  
PAGE NO.  
1



2 1/2" G.I. PIPE POST, SCHEDULE 40 WITH CONCRETE TOP COVER  
 10mm Ø STEEL BAR TO FASTEN THE CYCLONE WIRE TO THE G.I POST BY WELDING  
 2" CYCLONE WIRE, 7 FEET HEIGHT, 2.5mm DIAMETER



2  
S 1

COLUMN DETAILS  
SCALE: 1:10m

1  
S 1

PERIMETER FENCING DETAILS  
SCALE: 1:20m

<b>KALINGA STATE UNIVERSITY          INFRASTRUCTURE DEPARTMENT</b> BULANAO, TABUK CITY, KALINGA	ARCHITECT	CADD BY	CHECKED BY	REVIEWED BY	REVISIONS	DESCRIPTION	PROJECT TITLE	RECOMMENDING APPROVAL	APPROVED BY	SHEET CONTENTS	SHEET NO.
	REG. NO.	BDW	Arch. DAVE D. OCNAT	Engr. CHRISTIAN L. DELA ROSA			PERIMETER FENCING AT WATER TANK	Engr. HONORHON R. GARRING	EDUARDO T. BAGTANG, CIA, DBM	FENCING DETAILS	S 1
	PTR. NO.	OWNERSHIP OF DOCUMENTS		CHAIRMAN FOR BEGINNING				DIRECTOR FOR PLANNING AND STRATEGY	KSU PRESIDENT		PAGE NO.
	DATE	RA 9286, SECTION 33					Project Location:	Address:	Address:		2
PLACE	<small>THIS DRAWING, AS INSTRUMENT OF PROFESSIONAL SERVICE IS A PROPERTY OF THE ARCHITECT AND AS SUCH CANNOT BE REPRODUCED COPIED IN PART OR WHOLE WITHOUT PROPER AUTHORIZATION</small>					Bulanao, Tabuk City, Kalinga	Bulanao, Tabuk City, Kalinga	Bulanao, Tabuk City, Kalinga			